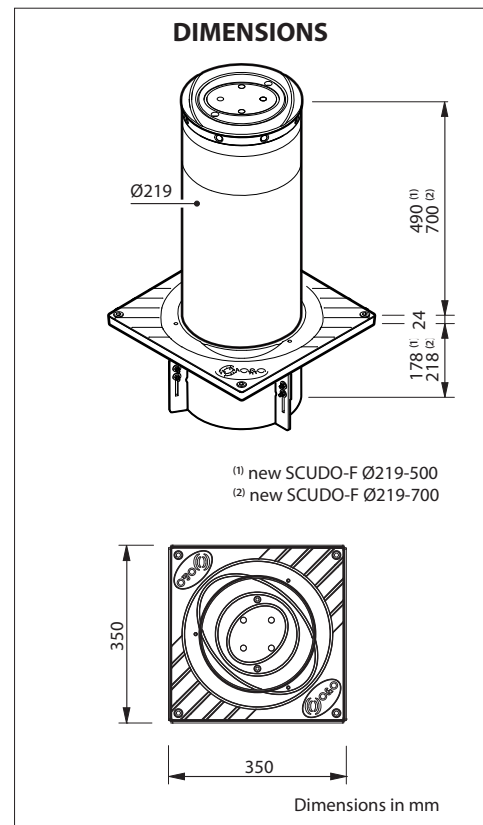


## PRODUCT DATASHEET

# new SCUDO-F

### Fix bollard

Fixed bollard for bolting to the floor. Diameter and dimensions are the same as the automatic models. Available in two dimensions.



#### • Fixed bollard

- Break-in resistance: **150 000 J**
- Easy shaft removal in case of damage
- Painted stem; stainless steel (optional)
- Adhesive film-reflectORIZED band, customizable (optional)
- Bollard top cover with led lights (optional)

#### REFERENCE STANDARDS

2004/108/CEE; 93/68/CEE ( EN55014-1; EN55014-2 ) • Electromagnetic Compatibility  
2006/95/CEE; 93/68/CEE ( EN60335-1(2002) ) • Low voltage  
2006/42/CEE ( EN60204-1 ) • Machinery directive

TECHNICAL-ENVIRONMENTAL MAIN FEATURES	
<b>Rod out of the ground</b>	new SCUDO-F Ø219-500: Ø219 x h.490 x sp.5 mm steel Fe 360 (S 235 JR) * new SCUDO-F Ø219-700: Ø219 x h.700 x sp.5 mm steel Fe 360 (S 235 JR) *
<b>Buried structure</b>	new SCUDO-F Ø219-500: Ø219 x h.178 new SCUDO-F Ø219-700: Ø219 x h.218
<b>Foundation</b>	Concrete
<b>Excavation</b>	500 x 500 x h.400 mm
<b>Break-in resistance</b>	150 000 J
<b>Driven rod treatment</b>	Cataphoresis and coating RAL7031 standard, other colour on request
<b>Passive visibility</b>	Reflective film **
<b>Flange</b>	Cast iron, cataphoresis black
<b>Top cover</b>	Cast iron, cataphoresis black
<b>Weight including packaging</b>	new SCUDO-F Ø219-500: ~45Kg new SCUDO-F Ø219-700: ~53Kg

\* option, AISI304 or AISI316

\*\* Customizable (optional)

ELECTRICAL FEATURES (optional)	
<b>Light power supply</b>	PS-SG 24Vac
<b>Power</b>	Light cable 24 Vac ±10%, 50-60 Hz (up to 80 bollards)
<b>Power consumption</b>	1 W for each bollard
<b>Signalling</b>	On the top with high intensity LEDs (optional)

For system composition and installation refer to the regulations in force in the country where the system is being installed.

## ITEM SPECIFICATION

Fixed bollard for bolting to the floor. Diameter and dimensions the same as the automatic models. Available in two sizes:

- Ø219 x h.499 x th.5 mm, steel Fe 360 (S 235 JR). Finishing: cataphoresis, powder paint. Break-in resistance 150 000 J. Adhesive reflecting strip. Top cover compatible with high-brightness LED lights.

- Ø219 x h.700 x th.5 mm, steel Fe 360 (S 235 JR). Finishing: cataphoresis, powder paint. Break-in resistance 150 000 J. Adhesive reflecting strip. Top cover compatible with high-brightness LED lights.



**O&O** s.r.l. a socio unico - Via Europa, 2 - 42015 Correggio (RE) Italy  
tel. +39 (0)522 740111 - fax +39 (0)522 631290  
<http://www.oeo.it> - email: [oeo@oeo.it](mailto:oeo@oeo.it)  
Company subject to management and coordination activities by BFT S.p.A.